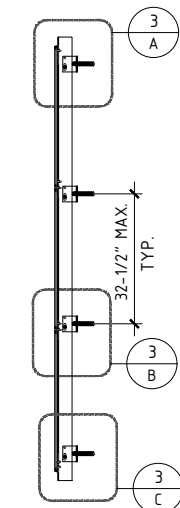
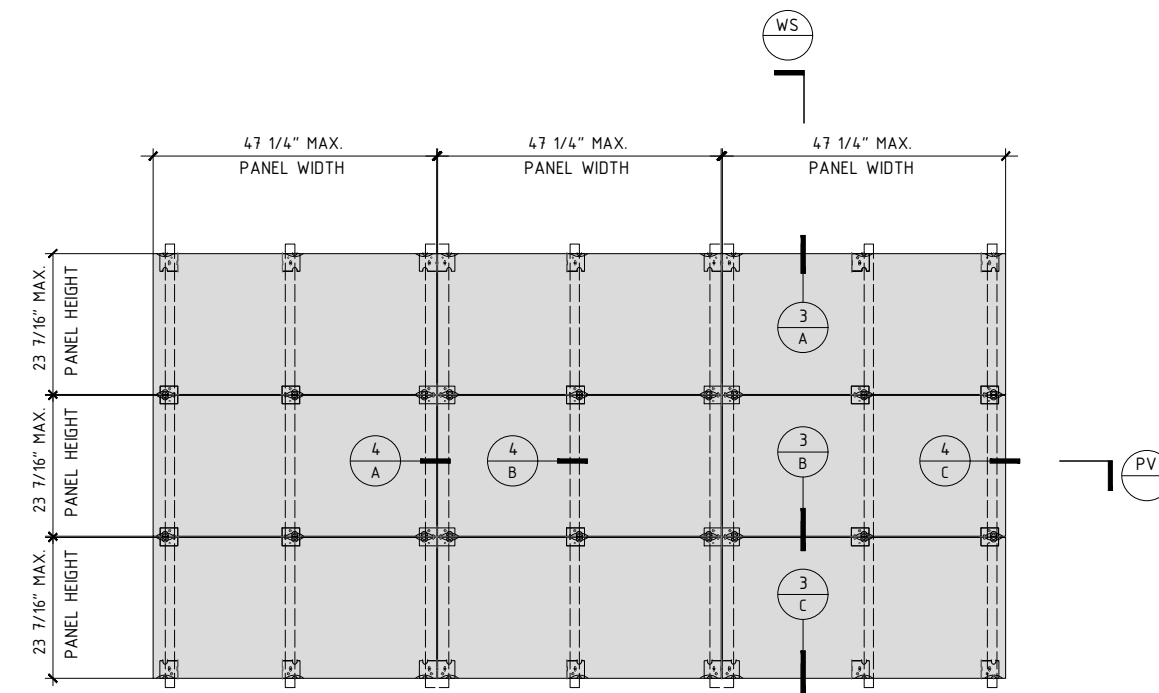


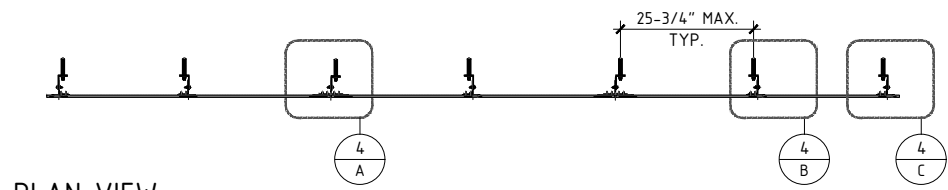
SUBSTRUCTURE LAYOUT



WALL SECTION



PANEL LAYOUT



PLAN VIEW

TYPICAL ELEVATION

INSTALLATIONS AT MASONRY/CONC STRUCTURES  
SEE SHEETS 3 AND 4 FOR INSTALLATION DETAILS

PORCELAIN PANEL, BY PORCELANOSA GRUPO  
RAINSREEN VENTILATED FACADE SYSTEM

PORCELAIN PANELS ANCHORED TO SHEAR WALLS AS  
EXTERIOR CLADDING.

APPROVAL APPLIES TO MULTIPLE UNIT INSTALLATIONS

MAX. DESIGN LOAD = + 62 PSF  
- 62 PSF

MIN. PANEL THICKNESS = 7/16 IN.  
MAX. PANEL SIZE= 23-7/16" HIGH X 47-1/4" WIDE

THIS PRODUCT HAS BEEN DESIGNED AND TESTED TO COMPLY WITH THE  
REQUIREMENTS OF THE 2020 (7TH EDITION) FLORIDA BUILDING CODE INCLUDING HIGH  
VELOCITY HURRICANE ZONE (HVHZ).

ANCHORS SHALL BE AS LISTED, SPACED AS SHOWN ON DETAILS, ANCHORS  
EMBEDMENT TO BASE MATERIAL SHALL BE BEYOND WALL DRESSING OR STUCCO.

ANCHORING OR LOADING CONDITIONS NOT SHOWN IN THESE DETAILS ARE NOT PART  
OF THIS APPROVAL.

MATERIALS INCLUDING BUT NOT LIMITED TO STEEL/METAL SCREWS, THAT COME INTO  
CONTACT WITH OTHER DISSIMILAR MATERIALS SHALL MEET THE REQUIREMENTS OF  
THE 2020 FLORIDA BUILDING CODE.

THIS PRODUCT APPROVAL IS GENERIC AND DOES NOT PROVIDE INFORMATION FOR A  
SITE SPECIFIC PROJECT, i.e. LIFE SAFETY OF THIS PRODUCT, ADEQUACY OF  
STRUCTURE RECEIVING THIS PRODUCT AND SEALING AROUND OPENING FOR WATER  
INFILTRATION RESISTANCE ETC. CONDITIONS NOT SHOWN IN THIS DRAWING ARE TO  
BE ANALYZED SEPARATELY, AND TO BE REVIEWED BY BUILDING OFFICIAL.

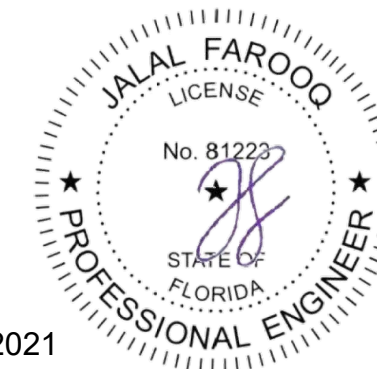
A- THIS PRODUCT EVALUATION DOCUMENT (P.E.D.) PREPARED BY THIS ENGINEER IS  
GENERIC AND DOES NOT PROVIDE INFORMATION FOR A SITE SPECIFIC PROJECT; i.e.  
WHERE THE SITE CONDITIONS DEVIATE FROM THE P.E.D.

B- CONTRACTOR TO BE RESPONSIBLE FOR THE SELECTION, PURCHASE AND INSTALLATION  
OF THIS PRODUCT BASED ON THIS PRODUCT EVALUATION PROVIDED HE/SHE DOES NOT  
DEVIATE FROM THE CONDITIONS DETAILED ON THIS DOCUMENT.

C- THIS PRODUCT EVALUATION DOCUMENT WILL BE CONSIDERED INVALID IF ALTERED BY  
ANY MEANS.

D- SITE SPECIFIC PROJECTS SHALL BE PREPARED BY A FLORIDA REGISTERED ENGINEER OR  
ARCHITECT WHICH WILL BECOME THE ENGINEER OF RECORD (E.O.R.) FOR THE PROJECT  
AND WHO WILL BE RESPONSIBLE FOR THE PROPER USE OF THE P.E.D. ENGINEER OF  
RECORD, ACTING AS A DELEGATED ENGINEER TO THE P.E.D. ENGINEER SHALL SUBMIT  
TO THIS LATTER THE SITE SPECIFIC DRAWINGS FOR REVIEW.

E- THIS P.E.D. SHALL BEAR THE DATE AND ORIGINAL SEAL AND SIGNATURE OF THE  
PROFESSIONAL ENGINEER OF RECORD THAT PREPARED IT.



Sealed: 6/10/2021

**af c**  
**AL-FAROOQ CORPORATION**  
ENGINEERS & PRODUCT DEVELOPMENT  
9360 SUNSET DRIVE, SUITE 220  
MIAMI, FLORIDA 33173 (C.A.N. 3538)  
TEL. (305) 264-8100 FAX. (305) 262-6978

RAINSREEN VENTILATED FACADE SYSTEM (SMI)

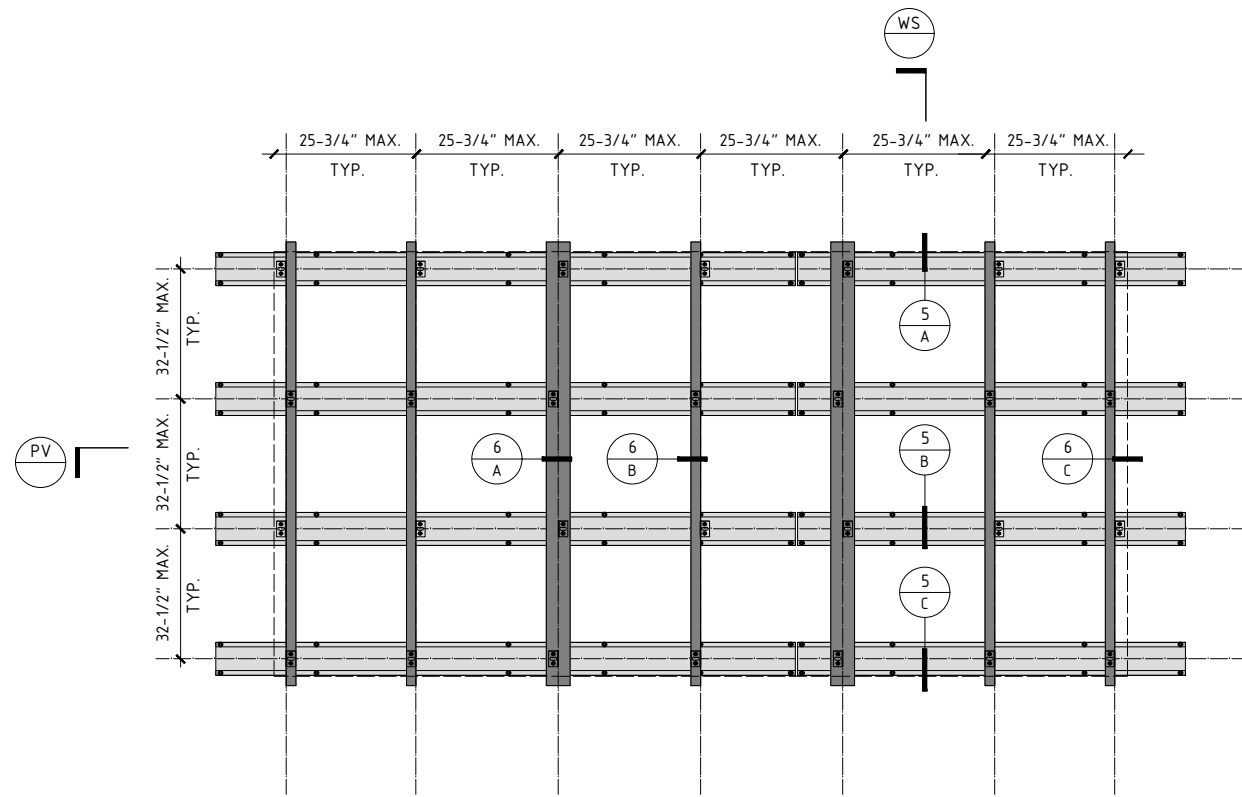
PORCELANOSA  
8700 N.W. 13th Terrace  
Miami, FL 33172  
TEL. (305) 715-7153 FAX. (305) 715-9635

no	date	by	description
A	2/10/2020		UPDATED TO 2020 FBC

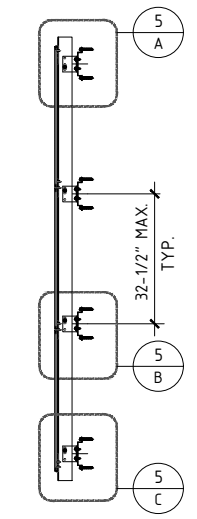
date:	03-28-16
scale:	3/8"=1'-0"
dr. by:	JCS
chk. by:	

drawing no.  
**16-03**  
sheet 1 of 7

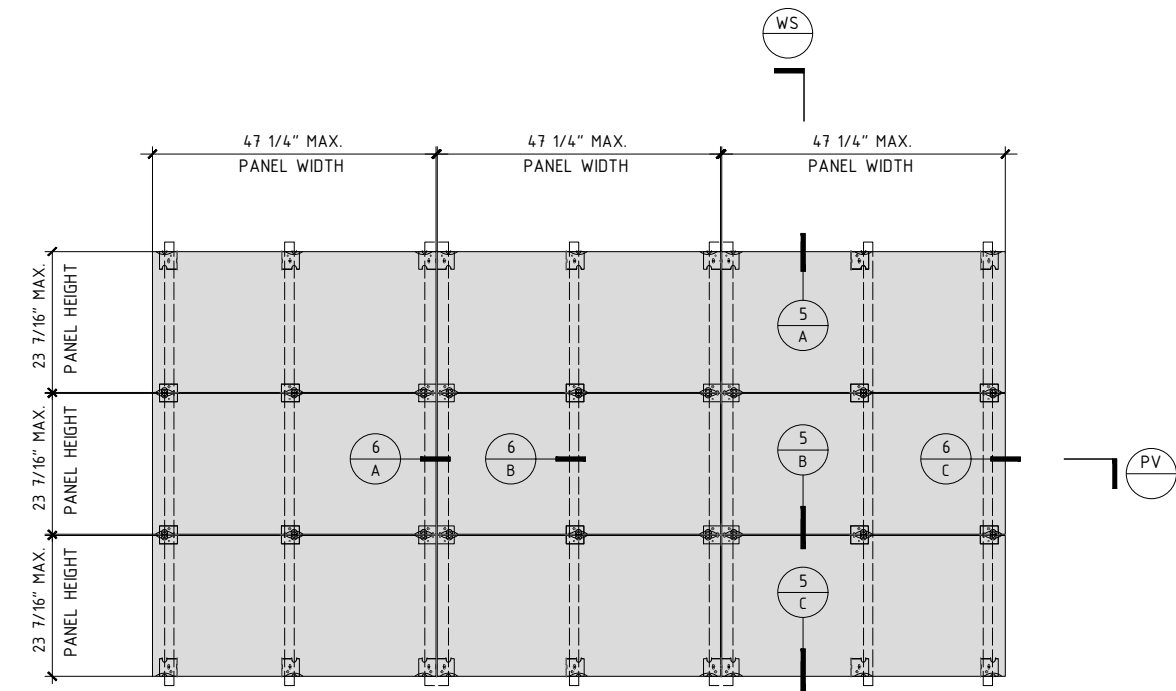
RAINSREEN16-09PLA



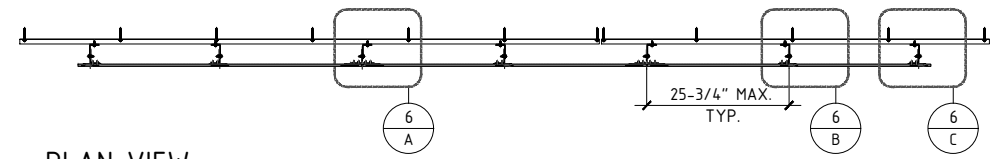
SUBSTRUCTURE LAYOUT



WALL SECTION

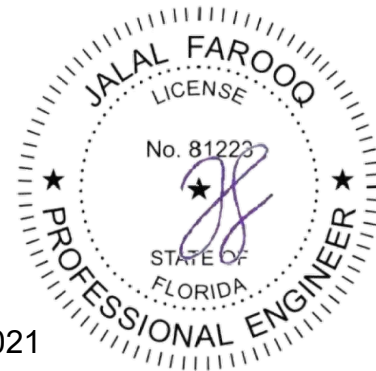


PANEL LAYOUT



PLAN VIEW

TYPICAL ELEVATION  
 INSTALLATIONS AT STEEL STUD FRAMING SYSTEM  
 SEE SHEETS 5 AND 6 FOR INSTALLATION DETAILS



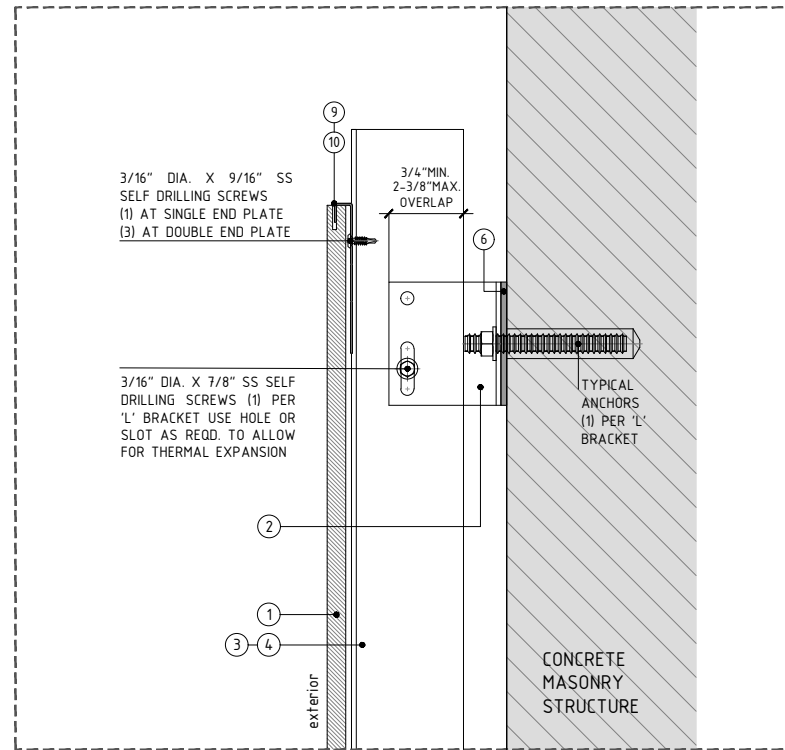
Sealed: 6/10/2021

**af c**  
**AL-FAROOQ CORPORATION**  
 ENGINEERS & PRODUCT DEVELOPMENT  
 9360 SUNSET DRIVE, SUITE 220 (C.A.N. 3538)  
 MIAMI, FLORIDA 33173  
 TEL. (305) 264-8100 FAX. (305) 262-6978  
 RAINSCREEN16-09PLA

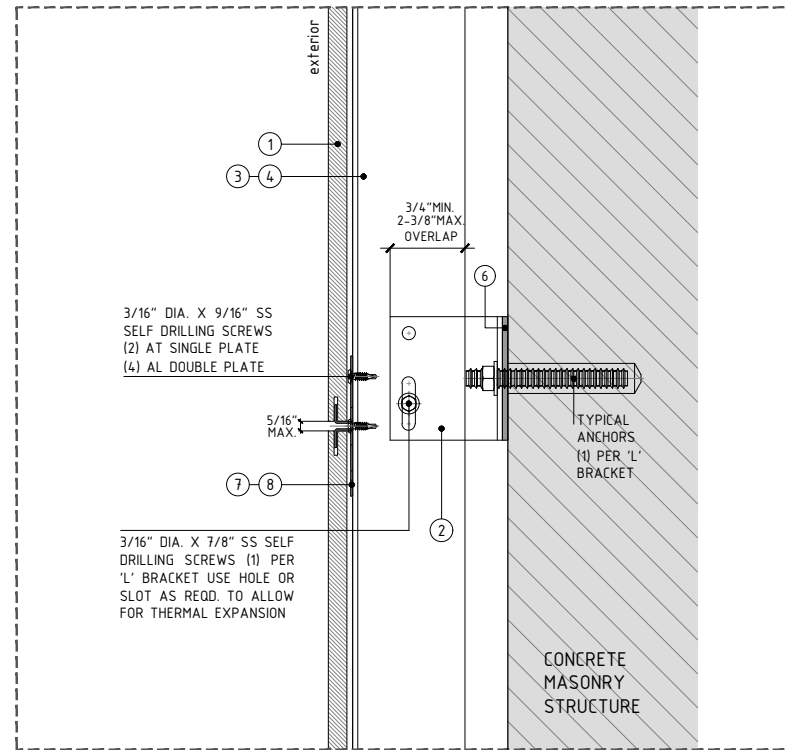
RAINSCREEN VENTILATED FACADE SYSTEM (SMI)  
 PORCELANOSA  
 8700 N.W. 13th Terrace  
 Miami, FL 33172  
 TEL. (305) 715-7153 FAX. (305) 715-9635

revisions:	no	date	by	description
	A	2/06/09		UPDATED TO 2020 FBC
date:	03-28-16			
scale:	3/8"=1'-0"			
dr. by:	JCS			
chk. by:				
drawing no.	16-03			
sheet	2 of 7			

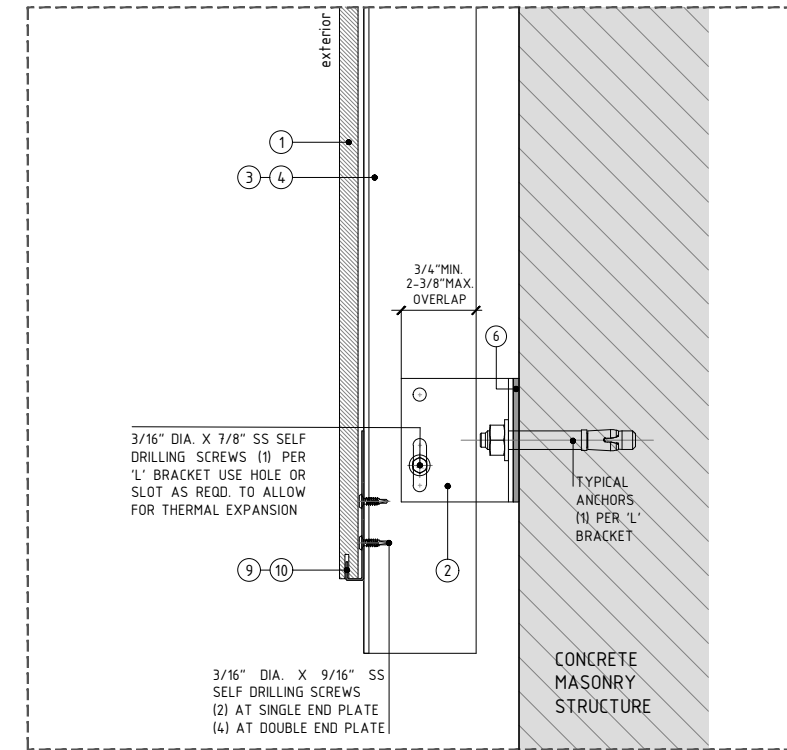
INSTALLATIONS AT MASONRY/CONC STRUCTURES



DETAIL A - TYPICAL VERTICAL DETAIL @ TOP ENDING



DETAIL B - TYPICAL VERTICAL DETAIL



DETAIL C - TYPICAL VERTICAL DETAIL @ BOTTOM ENDING

LEGEND

- |  |                                   |
|--|-----------------------------------|
| 1. PORCELAIN PANEL BY PORCELANOSA GRUPO  | 6. SINGLE/DOUBLE THERMAL ISOLATOR |
| 2. ALUMINUM SINGLE SUPPORT BRACKET*  | 7. CENTRAL FIXING PLATE           |
| 3. POWDER COATED (BLACK) ALUMINUM L-PROFILE, 40x60x2.7MM (1 <sup>5</sup> / <sub>16</sub> "x2 <sup>3</sup> / <sub>8</sub> "x <sup>1</sup> / <sub>8</sub> "), 3M (118 <sup>1</sup> / <sub>8</sub> " ) LONG   | 8. LATERAL FIXING PLATE           |
| 4. POWDER COATED (BLACK) ALUMINUM T-PROFILE, 100x60x2.7MM (3 <sup>15</sup> / <sub>16</sub> "x2 <sup>3</sup> / <sub>8</sub> "x <sup>1</sup> / <sub>8</sub> "), 3M (118 <sup>1</sup> / <sub>8</sub> " ) LONG | 9. START/END FIXING PLATE         |
| 5. ALUMINUM OMEGA PROFILE 20x140MM (1 <sup>3</sup> / <sub>8</sub> "x5 <sup>1</sup> / <sub>2</sub> "); 3M(118 <sup>1</sup> / <sub>8</sub> " ) LONG  | 10. START/END HALF FIXING PLATE   |
- \* NOTE 1  
IF A GREATER SIZE SUPPORT BRACKET IS NEEDED IT HAS TO BE CALCULATED BY THE ENGINEER OF RECORD ON A PROJECT BY PROJECT BASIS

Sealed: 6/10/2021



TYPICAL ANCHORS:

ANCHOR 'A'  
DIRECTLY INTO CONCRETE  
1/2" DIA. KWIK BOLT-3 EXPANSION ANCHOR  
WITH 2-1/2 MIN. EMBED  
3" MIN. EDGE DIST.

ANCHOR 'B'  
DIRECTLY INTO CONC. OR MASONRY  
HILTI HIT-MM PLUS CHEMICAL ANCHOR  
WITH IT SC M16-85 SLEEVE  
HIT-V M10X95 THREADED ROD  
(Fu = 60,000 PSI & Fy = 37,500 PSI)  
SAE J995 GRADE 5 NUT  
AND ANSI B18.22.1 TYPE A PLAIN WASHER

CONCRETE f<sub>c</sub> = 3000 PSI MIN.  
C-90 HOLLOW/FILLED BLOCKS f<sub>m</sub> = 2000 PSI MIN.

**af c**  
**AL-FAROOQ CORPORATION**  
ENGINEERS & PRODUCT DEVELOPMENT  
9360 SUNSET DRIVE, SUITE 220  
MIAMI, FLORIDA 33173 (C.A.N. 3538)  
TEL. (305) 264-8100 FAX. (305) 262-6978

RAINSREEN VENTILATED FACADE SYSTEM (SMI)

PORCELANOSA  
8700 N.W. 13th Terrace  
Miami, FL 33172  
TEL. (305) 715-7153 FAX. (305) 715-9635

revisions:	no	date	by	description
	A	2/10/20		UPDATED TO 2020 FBC

date:	03-28-16
scale:	3" = 1"
dr. by:	JCS
chk. by:	

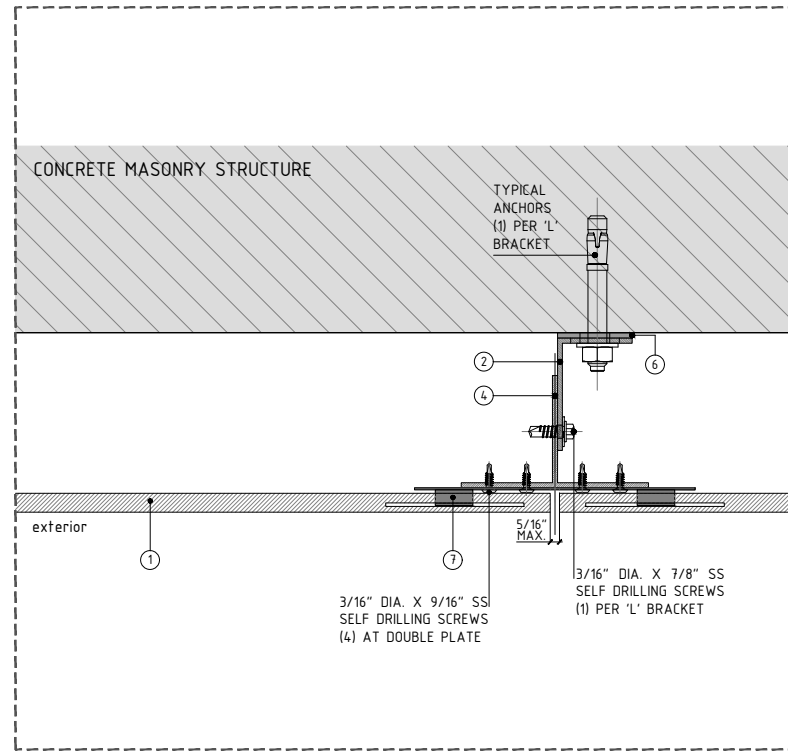
drawing no.

16-03

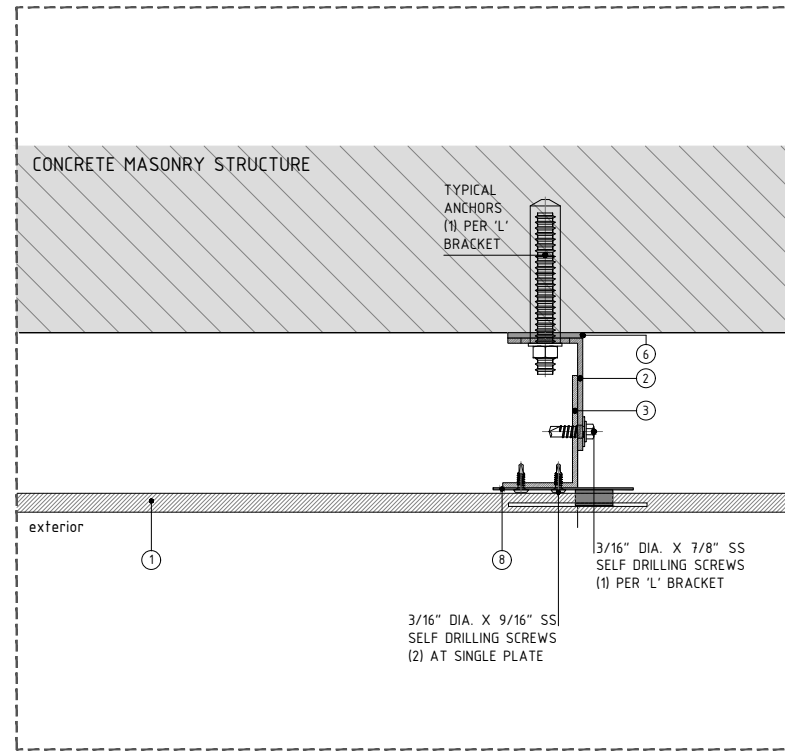
sheet 3 of 7

RAINSREEN16-09PLA

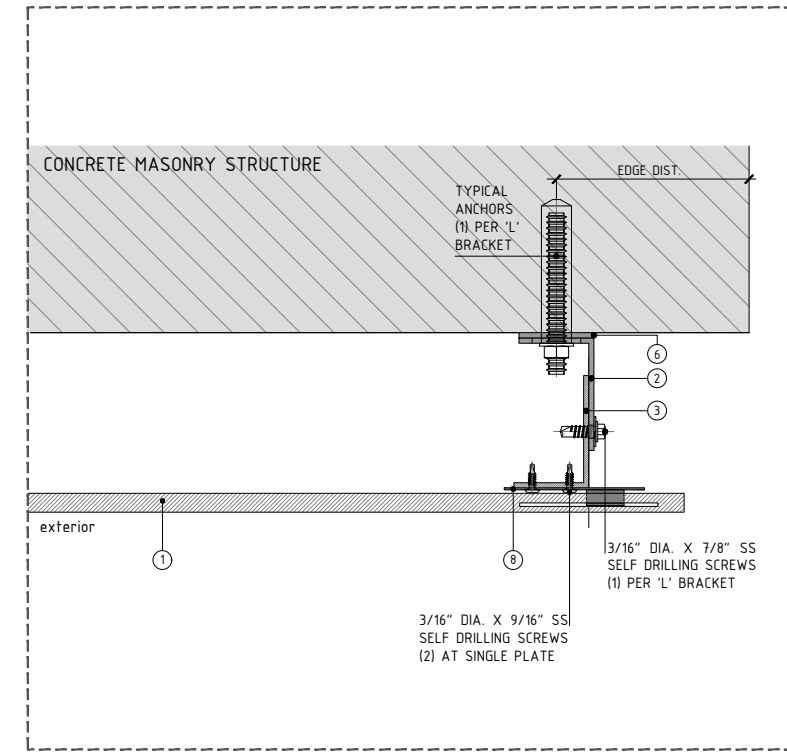
INSTALLATIONS AT MASONRY/CONC STRUCTURES



DETAIL A - TYPICAL HORIZONTAL DETAIL



DETAIL B - TYPICAL HORIZONTAL DETAIL



DETAIL C - TYPICAL ENDING HORIZONTAL DETAIL

LEGEND

- |  |                                   |
|--|-----------------------------------|
| 1. PORCELAIN PANEL BY PORCELANOSA GRUPO  | 6. SINGLE/DOUBLE THERMAL ISOLATOR |
| 2. ALUMINUM SINGLE SUPPORT BRACKET*  | 7. CENTRAL FIXING PLATE           |
| 3. POWDER COATED (BLACK) ALUMINUM L-PROFILE, 40x60x2.7MM (1 <sup>5</sup> / <sub>16</sub> "x2 <sup>3</sup> / <sub>8</sub> "x <sup>1</sup> / <sub>8</sub> "), 3M (118 <sup>1</sup> / <sub>8</sub> " ) LONG   | 8. LATERAL FIXING PLATE           |
| 4. POWDER COATED (BLACK) ALUMINUM T-PROFILE, 100x60x2.7MM (3 <sup>15</sup> / <sub>16</sub> "x2 <sup>3</sup> / <sub>8</sub> "x <sup>1</sup> / <sub>8</sub> "), 3M (118 <sup>1</sup> / <sub>8</sub> " ) LONG | 9. START/END FIXING PLATE         |
| 5. ALUMINUM OMEGA PROFILE 20x140MM (1 <sup>3</sup> / <sub>8</sub> "x5 <sup>1</sup> / <sub>2</sub> "); 3M(118 <sup>1</sup> / <sub>8</sub> " ) LONG  | 10. START/END HALF FIXING PLATE   |
- \* NOTE 1  
IF A GREATER SIZE SUPPORT BRACKET IS NEEDED IT HAS TO BE CALCULATED BY THE ENGINEER OF RECORD ON A PROJECT BY PROJECT BASIS

Sealed: 6/10/2021



TYPICAL ANCHORS:

ANCHOR 'A'  
DIRECTLY INTO CONCRETE  
1/2" DIA. KWIK BOLT-3 EXPANSION ANCHOR  
WITH 2-1/2 MIN. EMBED  
3" MIN. EDGE DIST.

ANCHOR 'B'  
DIRECTLY INTO CONC. OR MASONRY  
HILTI HIT-MM PLUS CHEMICAL ANCHOR  
WITH HIT SC M16-85 SLEEVE  
HIT-V M10X95 THREADED ROD  
(Fu = 60,000 PSI & Fy = 37,500 PSI)  
SAE J995 GRADE 5 NUT  
AND ANSI B18.22.1 TYPE A PLAIN WASHER

CONCRETE f'c = 3000 PSI MIN.  
C-90 HOLLOW/FILLED BLOCKS f'm = 2000 PSI MIN.



**AL-FAROOQ CORPORATION**  
ENGINEERS & PRODUCT DEVELOPMENT  
9360 SUNSET DRIVE, SUITE 220  
MIAMI, FLORIDA 33173 (C.A.N. 3538)  
TEL. (305) 264-8100 FAX. (305) 262-6978

RAINSCREEN16-09PLA

RAINSCREEN VENTILATED FACADE SYSTEM (SMI)

PORCELANOSA  
8700 N.W. 13th Terrace  
Miami, FL 33172  
TEL. (305) 715-7153 FAX. (305) 715-9635

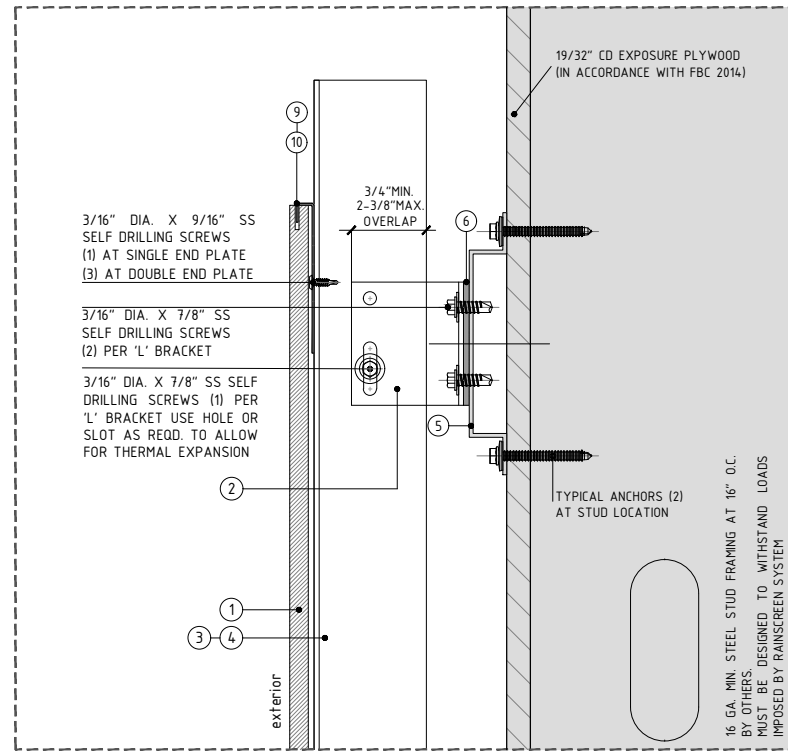
revisions:	no	date	by	description
	A	2/10/20		UPDATED TO 2020 FBC

date:	03-28-16
scale:	3" = 1"
dr. by:	JCS
chk. by:	

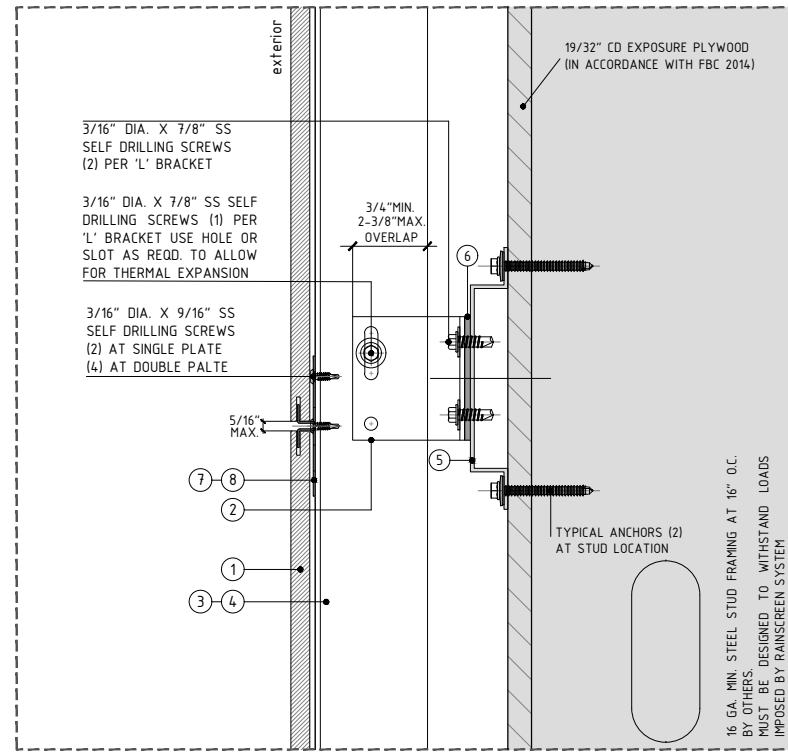
drawing no.  
**16-03**

sheet 4 of 7

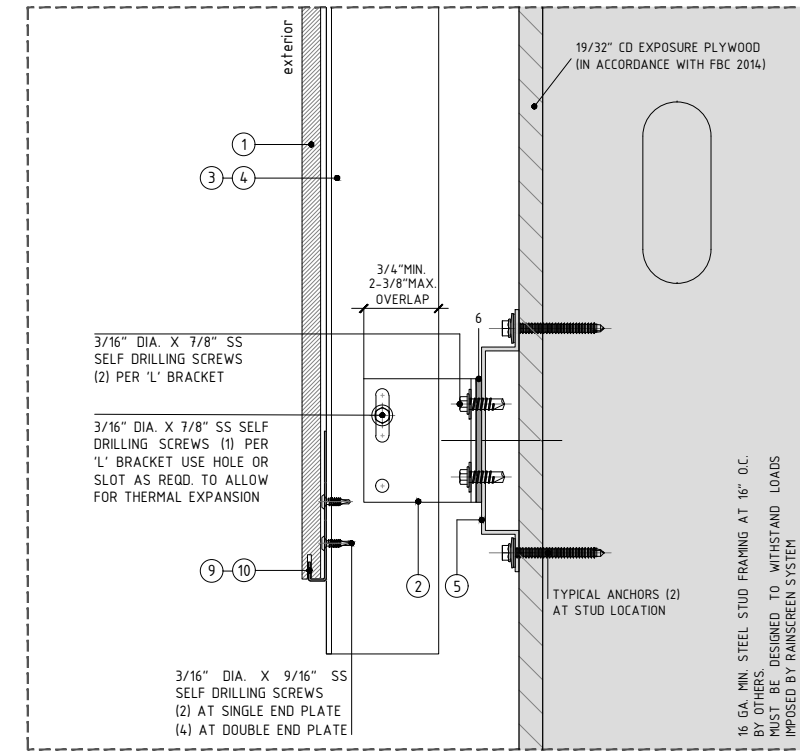
INSTALLATIONS AT STEEL STUD FRAMING SYSTEM



DETAIL A - TYPICAL VERTICAL DETAIL @ TOP ENDING



DETAIL B - TYPICAL VERTICAL DETAIL



DETAIL C - TYPICAL VERTICAL DETAIL @ BOTTOM ENDING

LEGEND

- |  |                                   |
|--|-----------------------------------|
| 1. PORCELAIN PANEL BY PORCELANOSA GRUPO  | 6. SINGLE/DOUBLE THERMAL ISOLATOR |
| 2. ALUMINUM SINGLE SUPPORT BRACKET*  | 7. CENTRAL FIXING PLATE           |
| 3. POWDER COATED (BLACK) ALUMINUM L-PROFILE, 40x60x2.7MM (1 1/8" x 2 3/8" x 1/8"), 3M (110 3/8") LONG    | 8. LATERAL FIXING PLATE           |
| 4. POWDER COATED (BLACK) ALUMINUM T-PROFILE, 100x60x2.7MM (3 15/16" x 2 3/8" x 1/8"), 3M (110 3/8") LONG | 9. START/END FIXING PLATE         |
| 5. ALUMINUM OMEGA PROFILE 20x140MM (1 3/8" x 5 1/2"); 3M(110 3/8") LONG                                  | 10. START/END HALF FIXING PLATE   |
- \* NOTE 1  
IF A GREATER SIZE SUPPORT BRACKET IS NEEDED IT HAS TO BE CALCULATED BY THE ENGINEER OF RECORD ON A PROJECT BY PROJECT BASIS

Sealed: 6/10/2021



TYPICAL ANCHORS:

ANCHOR 'C'  
INTO METAL STRUCTURES (16 GA. MIN, MTAL STUDS)  
3/16" DIA. X 2" WITH WASHER  
S-MD53S SS SELF DRILLING SCREW  
1/2" MIN. EDGE DIST.

**af c**  
**AL-FAROOQ CORPORATION**  
ENGINEERS & PRODUCT DEVELOPMENT  
9360 SUNSET DRIVE, SUITE 220  
MIAMI, FLORIDA 33173 (C.A.N. 3538)  
TEL. (305) 264-8100 FAX. (305) 262-6978

RAINSREEN16-09PLA

RAINSREEN VENTILATED FACADE SYSTEM (SMI)

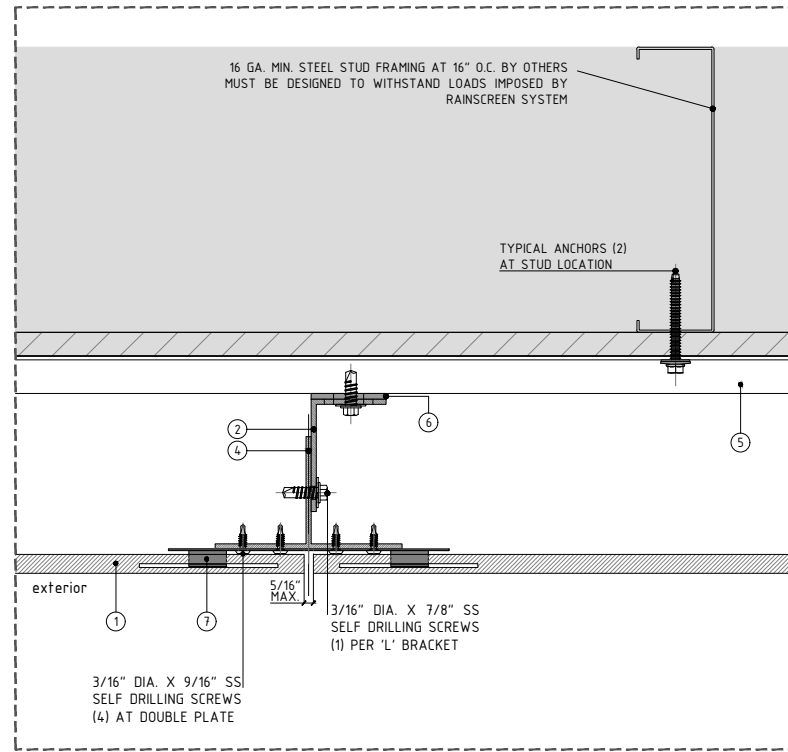
PORCELANOSA  
8700 N.W. 13th Terrace  
Miami, FL 33172  
TEL. (305) 715-7153 FAX. (305) 715-9635

revisions:	no	date	by	description
	A	2/10/2021		UPDATED TO 2020 FBC

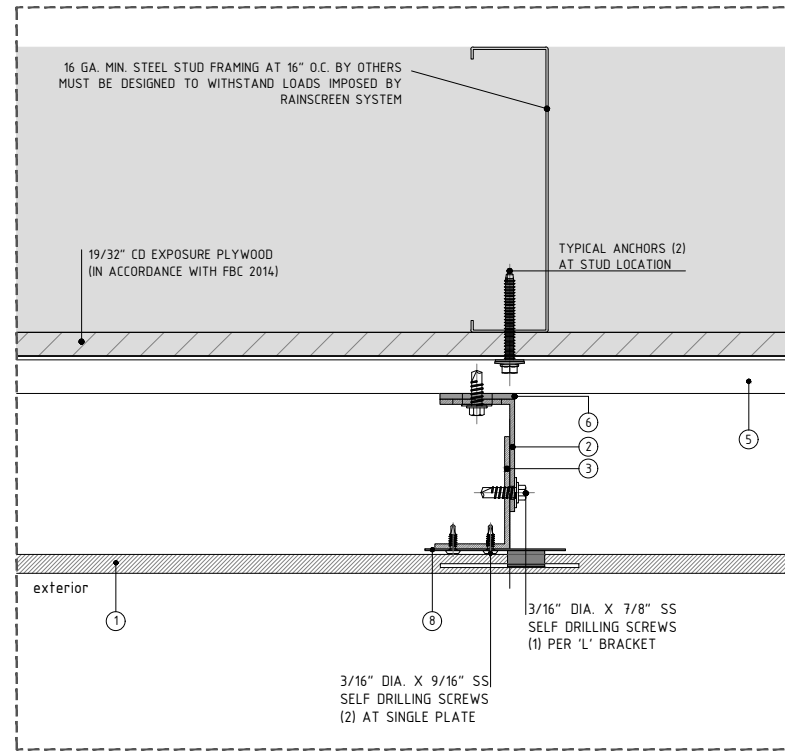
date:	03-28-16
scale:	3" = 1"
dr. by:	JCS
chk. by:	

drawing no.  
**16-03**  
sheet 5 of 7

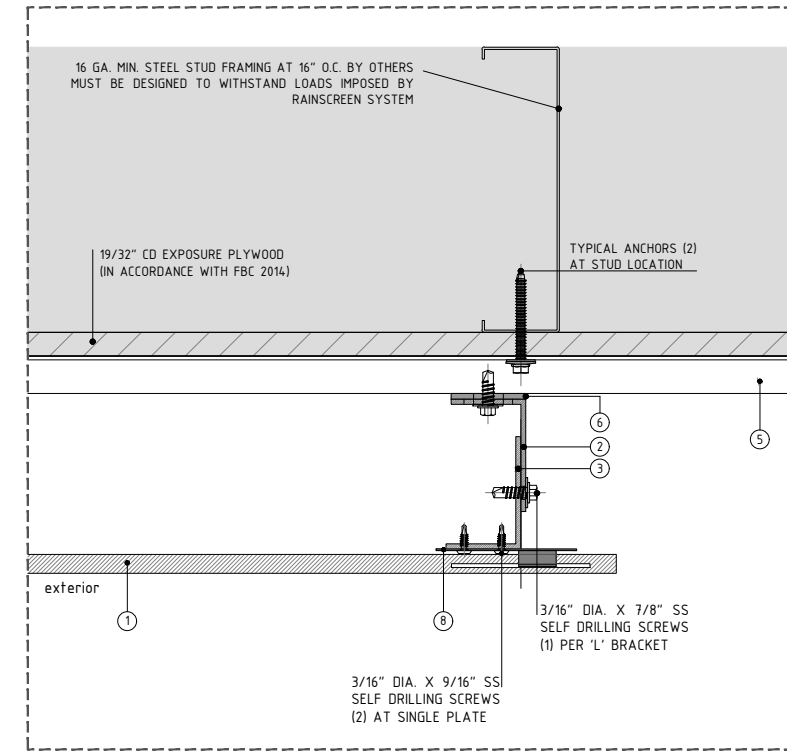
INSTALLATIONS AT STEEL STUD FRAMING SYSTEM



DETAIL A - TYPICAL HORIZONTAL DETAIL



DETAIL B - TYPICAL HORIZONTAL DETAIL



DETAIL C - TYPICAL ENDING HORIZONTAL DETAIL

LEGEND

- |   |                                   |
|---|-----------------------------------|
| 1. PORCELAIN PANEL BY PORCELANOSA GRUPO   | 6. SINGLE/DOUBLE THERMAL ISOLATOR |
| 2. ALUMINUM SINGLE SUPPORT BRACKET*   | 7. CENTRAL FIXING PLATE           |
| 3. POWDER COATED (BLACK) ALUMINUM L-PROFILE, 40x60x2.7MM (1 <sup>5</sup> / <sub>16</sub> "x2 <sup>3</sup> / <sub>8</sub> "x <sup>1</sup> / <sub>8</sub> "), 3M (118 <sup>3</sup> / <sub>8</sub> ") LONG   | 8. LATERAL FIXING PLATE           |
| 4. POWDER COATED (BLACK) ALUMINUM T-PROFILE, 100x60x2.7MM (3 <sup>15</sup> / <sub>16</sub> "x2 <sup>3</sup> / <sub>8</sub> "x <sup>1</sup> / <sub>8</sub> "), 3M (118 <sup>3</sup> / <sub>8</sub> ") LONG | 9. START/END FIXING PLATE         |
| 5. ALUMINUM OMEGA PROFILE 20x140MM (1 <sup>3</sup> / <sub>8</sub> "x5 <sup>1</sup> / <sub>2</sub> "); 3M(118 <sup>3</sup> / <sub>8</sub> ") LONG  | 10. START/END HALF FIXING PLATE   |
- \* NOTE 1  
IF A GREATER SIZE SUPPORT BRACKET IS NEEDED IT HAS TO BE CALCULATED BY THE ENGINEER OF RECORD ON A PROJECT BY PROJECT BASIS

Sealed: 6/10/2021



TYPICAL ANCHORS:

ANCHOR 'C'  
INTO METAL STRUCTURES (16 GA. MIN, MTAL STUDS)  
3/16" DIA. X 2" WITH WASHER  
S-MD53S SS SELF DRILLING SCREW  
1/2" MIN. EDGE DIST.

**af c**  
**AL-FAROOQ CORPORATION**  
ENGINEERS & PRODUCT DEVELOPMENT  
9360 SUNSET DRIVE, SUITE 220 (C.A.N. 3538)  
MIAMI, FLORIDA 33173  
TEL. (305) 264-8100 FAX. (305) 262-6978

RAINSCREEN16-09PLA

RAINSCREEN VENTILATED FACADE SYSTEM (SMI)

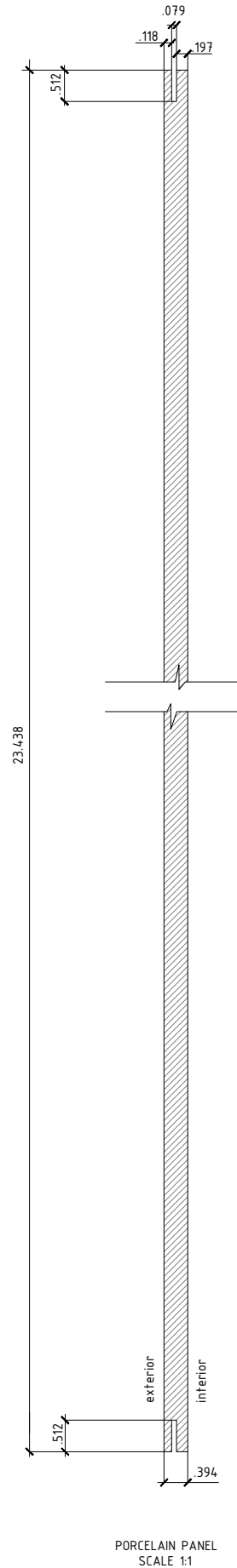
PORCELANOSA  
8700 N.W. 13th Terrace  
Miami, FL 33172  
TEL. (305) 715-7153 FAX. (305) 715-9635

revisions:	no	date	by	description
	A	2/10/2020		UPDATED TO 2020 FBC

date:	03-28-16
scale:	3" = 1"
dr. by:	JCS
chk. by:	

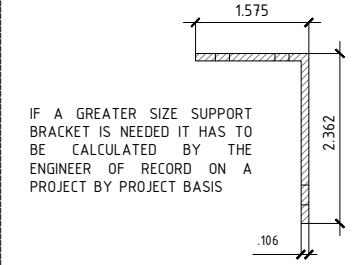
drawing no.  
**16-03**

sheet 6 of 7

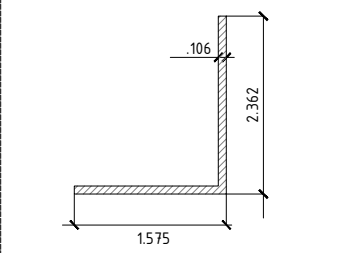


PORCELAIN PANEL SCALE 1:1

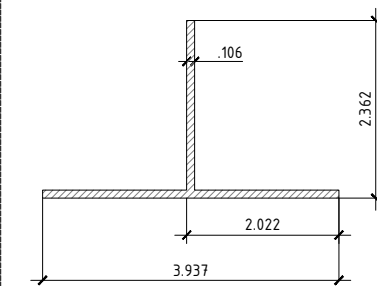
1 PORCELAIN PANEL BY PORCELANOSA GRUPO



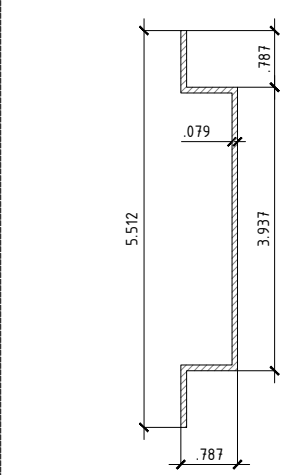
2 SUPPORT BRACKET



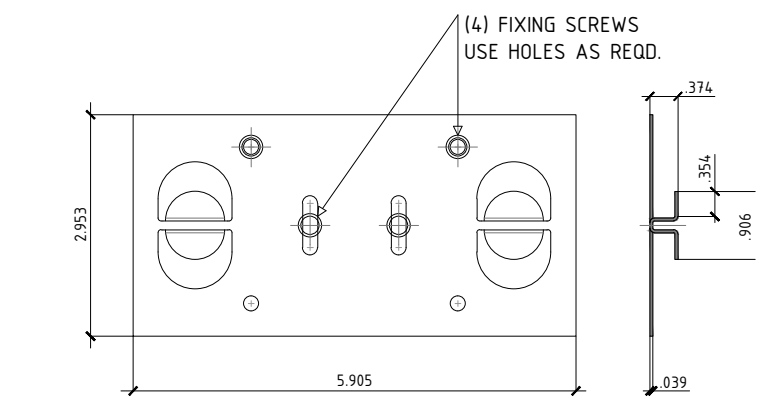
3 L-PROFILE



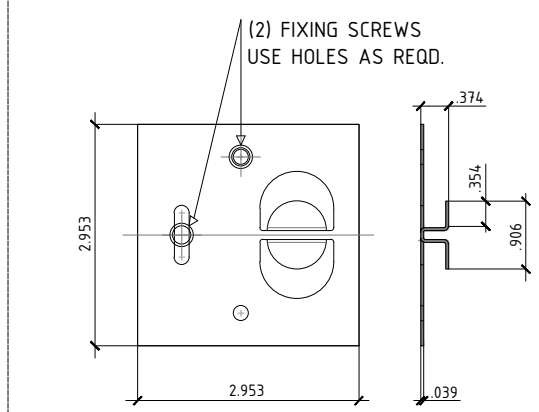
4 T-PROFILE



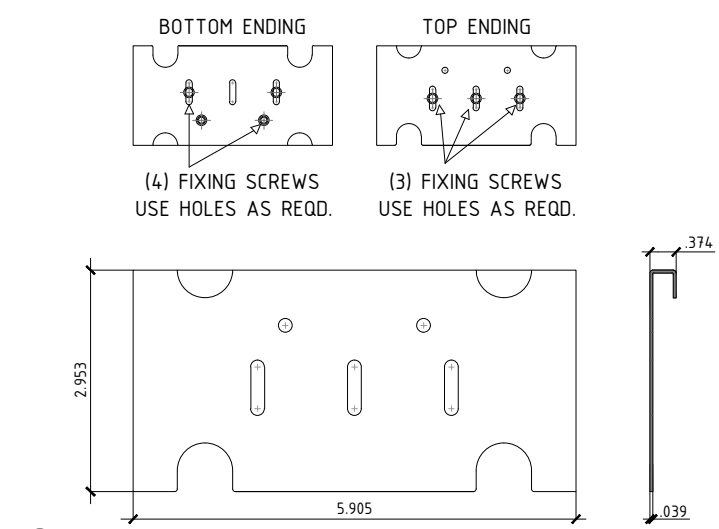
5 OMEGA-PROFILE



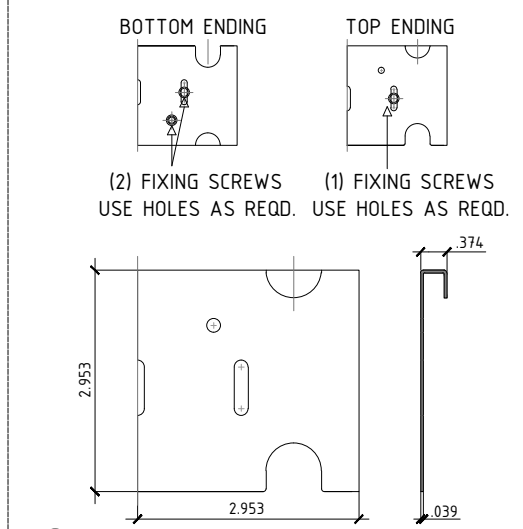
7 CENTRAL FIXING PLATE



8 LATERAL FIXING PLATE

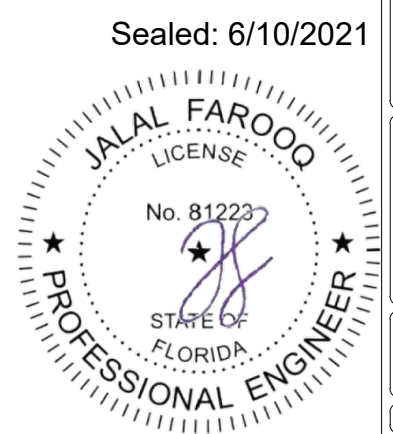


9 CENTRAL FIXING PLATE



10 LATERAL FIXING PLATE

ITEM NO.	WEIGHT	QUANTITY	DESCRIPTION	MATERIAL	MANF./SUPPLIER/REMARKS
1	5 Lbs/Sq. Ft.	AS REQD.	PORCELAIN PANEL	PORCELAIN	-
2	-	AS REQD.	SUPPORT BRACKET	6005A-T6	-
3	-	AS REQD.	L-PROFILE	6063-T6	-
4	-	AS REQD.	T-PROFILE	6063-T6	-
5	-	AS REQD.	OMEGA PROFILE	6063-T6	-
6	-	AS REQD.	SINGLE/DOUBLE THERMAL ISOLATOR	PLASTIC	-
7	-	AS REQD.	CENTRAL FIXING PLATE	ST. STEEL	-
8	-	AS REQD.	LATERAL FIXING PLATE	ST. STEEL	-
9	-	AS REQD.	START END FIXING PLATE	ST. STEEL	-
10	-	AS REQD.	START/END HALF FIXING PLATE	ST. STEEL	-



**AL-FAROOQ CORPORATION**  
 ENGINEERS & PRODUCT DEVELOPMENT  
 9360 SUNSET DRIVE, SUITE 220  
 MIAMI, FLORIDA 33173 (C.A.N. 3538)  
 TEL. (305) 264-8100 FAX. (305) 262-6978

RAINSREEN VENTILATED FACADE SYSTEM (SMI)  
 PORCELANOSA  
 8700 N.W. 13th Terrace  
 Miami, FL 33172  
 TEL. (305) 715-7153 FAX. (305) 715-9635

revisions:	no	date	by	description
	A	2/10/2020	JCS	UPDATED TO 2020 FBC

date: 03-28-16 scale: NTS dr. by: JCS chg. by:

drawing no. 16-03  
 sheet 7 of 7